

FRENCHWOOD[®] GLIDING PATIO DOORS

CUSTOM SIZING
in 1/8" (3) increments



400 Series
Frenchwood[®]
Gliding Patio Doors

SECTION REFERENCE

Table of Sizes.....	148
Specifications	150
Custom Sized Doors.....	149
Grille Patterns	149
Door Details.....	150-152
Joining Details.....	152
Door Sidelights & Transoms	171
Combination Designs	255
Performance Data.....	269
Warranty.....	290-291

Dimensions in parentheses are in millimeters.



A.B.E. Doors & Windows

6776 Hamilton Boulevard
Allentown, PA 18106
610-398-2430

www.abeddoors.com

Call 610-398-2430 now to get a free estimate!

FRENCHWOOD® GLIDING PATIO DOORS

FEATURES

Frame

A The sill has an extruded aluminum track, with a stainless steel cap that resists stain, rust and denting*. A thermal barrier reduces conductive heat loss and limits condensation on the inside. The sill has an attractive wear-resistant, heat-baked finish in a neutral gray color.

B All basic exterior frame members are covered with a rigid vinyl sheath that maintains an attractive appearance while minimizing maintenance.

C Wood frame members are treated with a water-repellent preservative for long-lasting* protection and performance. Interior frame trim pieces are unfinished pine. Oak and maple veneer and prefinished White interior options are available.

Factory-assembled doors are available (two-panel doors) and arrive at the jobsite ready to install. Unassembled doors are also available and require jobsite assembly.

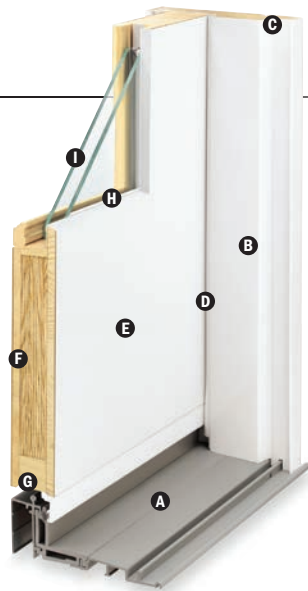
D A flexible vinyl weatherstrip at the head and side jambs provides a positive seal between the frame and panels.

Panel

E The exterior of the wood door panel is protected with a low-maintenance urethane base finish in White, Sandtone, Terratone or Forest Green color.

F Panel interior surfaces are unfinished pine veneer. Unfinished oak and maple veneers are available as options. Low-maintenance prefinished White interiors are also available on units with White exteriors.

G Dual ball-bearing rollers on door panels provide smooth gliding operation with self-contained leveling adjusters.



Mortise-and-Tenon Joints



Panel joints are mortise-and-tenon with patented dowel construction for maximum strength.

Flexible Seal



A full-length combination weatherstrip/interlock system provides a flexible seal at the meeting stile.

Glass

H Panels are silicone bed glazed and finished with an interior wood stop.

I High-performance glass options include:

- Low-E4® tempered glass®
- Low-E4® HeatLock™ tempered glass
- Low-E4® Sun tempered glass
- Low-E4® SmartSun™ tempered glass
- Low-E4® SmartSun™ HeatLock™ tempered glass

Additional glass options are available. Contact your Andersen supplier.

A removable translucent film helps shield the glass from damage during delivery and construction and simplifies finishing at the jobsite.

Patterned Glass

Patterned glass options are available. See page 10 for more details.

EXTERIOR



White Sandtone



Terratone Forest Green

INTERIOR



Pine White



Maple Oak

Prefinished White interiors are only available on units with White exteriors.

Naturally occurring variations in grain, color and texture of wood make each door one-of-a-kind. All wood interiors are unfinished unless prefinished White is specified.

HARDWARE FINISHES



Antique Brass Black Bright Brass Brushed Chrome Distressed Bronze Distressed Nickel



Gold Dust Oil Rubbed Bronze Polished Chrome Satin Nickel Stone White

Distressed bronze and oil rubbed bronze are "living" finishes that will change with time and use.

GLIDING PATIO DOOR HARDWARE OPTIONS** Bold name denotes finish shown.



YUMA®

Distressed Bronze
Distressed Nickel



ENCINO®

Distressed Bronze
Distressed Nickel



ANVERS®

Bright Brass
Oil Rubbed Bronze
Satin Nickel



NEWBURY®

Antique Brass
Bright Brass
Brushed Chrome
Oil Rubbed Bronze
Polished Chrome
Satin Nickel



COVINGTON™

Antique Brass
Bright Brass
Oil Rubbed Bronze



WHITMORE®

Antique Brass
Bright Brass
Oil Rubbed Bronze
Satin Nickel



ALBANY

Black
Gold Dust
Stone
White



TRIBECA®

Stone
White

* Visit andersenwindows.com/warranty or see your Andersen supplier for details on the 400 Series Limited Warranty.

** Hardware sold separately.

Dimensions in parentheses are in millimeters.

Printing limitations prevent exact duplication of colors and finishes. See your Andersen supplier for actual color and finish samples.

Tribeca and Albany hardware are zinc diecast with powder-coated durable finish. Other hardware is solid forged brass. Mix-and-match interior and exterior style and finish options are available. Bright brass and satin nickel finishes feature a 10-year limited warranty.

Locking System

Reachout Locking Hardware



The unique Andersen® reachout locking hardware pulls the door panel snugly into the jamb for a weathertight seal and enhanced security.

ACCESSORIES Sold Separately

Frame

Extension Jamb

Standard jamb depth is 4 9/16" (116). Pine, oak or maple veneer or prefinished White interior extension jambs are available in 1/16" (1.5) increments between 5 1/16" (129) and 7 1/8" (181).

Threshold



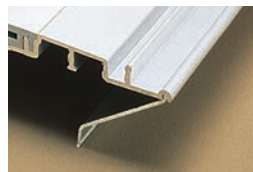
An oak or maple threshold is available for finishing the interior of the sill.

Ramped Sill Insert



Ramped sills provide smooth transition from interior to exterior and can be used with a retractable insect screen, but not a gliding insect screen. Shown here with an Andersen® Frenchwood® patio door. (Specifier must check with local and federal officials to determine if product meets accessibility codes.)

Sill Support



An aluminum sill support is designed to lock into a channel under the sill and tie back into the wall. This will offer support to the outermost sill section when needed. Available in neutral gray finish.

Hardware

Exterior Keyed Lock



A six-pin key cylinder lock is available in finishes that coordinate with hardware. This lock allows the gliding door to be locked and unlocked from the exterior.

Auxiliary Foot Lock

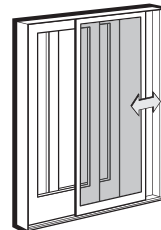


Provides an extra measure of security when the door is in a locked position. Lock can be set so the door is fully closed or partially open to provide a secure venting position. Available in all hardware finishes.

Insect Screens

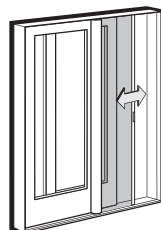
All insect screens have a long-lasting* fiberglass screen mesh with a charcoal finish and are color matched to the exterior of the door unless otherwise specified.

Gliding Insect Screen



Patented square corner joint construction adds considerable strength to the frame members. The insect screen is available for both two-panel doors and four-panel doors. Gliding insect screens have Delrin® injection-molded bottom rollers with self-contained leveling adjusters, providing smooth operation. Interior and exterior pulls and latch are provided.

Retractable Insect Screen



The retractable insect screen is installed on the exterior of the door and opens side-to-side across the width of the opening. When the insect screen is not in use, it neatly retracts into a small canister mounted on the exterior of the door. The retractable insect screen canister is available for two-panel patio doors in our four standard exterior colors. Please note, retractable insect screen track reduces clear opening height by 1" (25).

Glass

Andersen® Art Glass

Andersen art glass panels come in a variety of original patterns, including four *Frank Lloyd Wright® Series* designs. Available for stationary panels, sidelights and transoms. See pages 213-214 for details on Andersen art glass. Visit andersenwindows.com/artglass for details and pattern information.

Grilles

Grilles are available in a variety of configurations and widths. For patio door grille patterns see page 149.

Transoms

Andersen Frenchwood patio door transoms feature elegant lines that match our 400 Series Frenchwood gliding patio doors. They feature pine, oak, maple or prefinished White interior options, plus our four standard exterior colors. See pages 171-174 for details.

Sidelights

Stationary units can also be selected for use as sidelights. See pages 171-174 for details.

Exterior Trim

This product is available with Andersen® Exterior Trim. See pages 215-220 for details.

CAUTION:

- Painting and staining may cause damage to rigid vinyl.
- 400 Series windows in Terratone color may be painted any color lighter than Terratone color using quality oil-base or latex paint. Submit color samples to Andersen for approval when painting Terratone any color darker than Terratone.
- Do not paint 400 Series windows with White, Sandtone or Forest Green exterior colors.
- Creosote-based stains should not come in contact with Andersen products.
- Do not paint weatherstripping.
- Abrasive cleaners or solutions containing corrosive solvents should not be used on Andersen products.
- For vinyl painting instructions and preparation, contact your Andersen supplier.
- Andersen does not warrant the adhesion or performance of homeowner-applied paint over vinyl or other factory-coated surfaces.

* Visit andersenwindows.com/warranty or contact your Andersen supplier for details on the 400 Series Limited Warranty.

NOTE: Andersen® patio doors are not intended for use as entrance doors.

Dimensions in parentheses are in millimeters.

"Delrin" is a registered trademark of E.I. du Pont de Nemours and Company.

"Frank Lloyd Wright" is a registered trademark of the Frank Lloyd Wright Foundation.

For more information about **glass, patterned glass, art glass and grilles** see pages 10-17.

For more information about **combination designs, product performance, installation accessories and warranty** see pages 255-291 or visit

 andersenwindows.com

FRENCHWOOD® GLIDING PATIO DOORS

Three Patio Door Heights

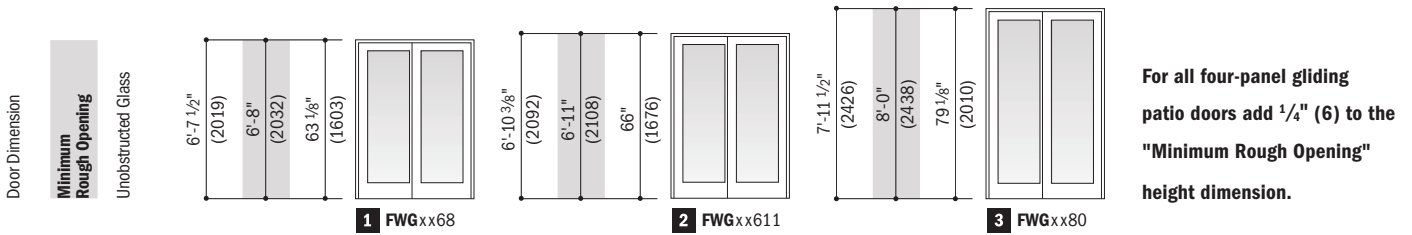


Table of Frenchwood® Gliding Patio Door Sizes

Scale 1/8" (3) = 1'-0" (305) – 1:96

Door Dimension	2'-8"	4'-11 1/4"	4'-11 1/4"	9'-9"
(813)	(1505)	(1505)	(2972)	
Minimum Rough Opening	2'-8 3/4"	5'-0"	5'-0"	9'-9 3/4"
(832)	(1524)	(1524)	(2991)	
Unobstructed Glass (single panel only)	21 1/8"	21 1/8"	21 1/8"	21 1/8"
(537)	(537)	(537)	(537)	
3 heights	1 FWG2968S 2 FWG29611S 3 FWG2980S	FWG5068L FWG50611L FWG5080L	FWG5068R FWG50611R FWG5080R	FWG10068-4* FWG100611-4* FWG10080-4*
Door Dimension	3'-2"	5'-11 1/4"	5'-11 1/4"	11'-9"
(965)	(1810)	(1810)	(3581)	
Minimum Rough Opening	3'-2 3/4"	6'-0"	6'-0"	11'-9 3/4"
(984)	(1829)	(1829)	(3600)	
Unobstructed Glass (single panel only)	27 1/8"	27 1/8"	27 1/8"	27 1/8"
(689)	(689)	(689)	(689)	
3 heights	1 FWG3368S 2 FWG33611S 3 FWG3380S	FWG6068L FWG60611L FWG6080L	FWG6068R FWG60611R FWG6080R	FWG12068-4* FWG120611-4* FWG12080-4*
Door Dimension	4'-2"	7'-11 1/4"	7'-11 1/4"	15'-9"
(1270)	(2419)	(2419)	(4801)	
Minimum Rough Opening	4'-2 3/4"	8'-0"	8'-0"	15'-9 3/4"
(1289)	(2438)	(2438)	(4820)	
Unobstructed Glass (single panel only)	39 1/8"	39 1/8"	39 1/8"	39 1/8"
(994)	(994)	(994)	(994)	
3 heights	1 FWG4368S 2 FWG43611S 3 FWG4380S	FWG8068L FWG80611L FWG8080L	FWG8068R FWG80611R FWG8080R	FWG16068-4* FWG160611-4* FWG16080-4*



Custom-size doors are available in 1/8" (3) increments. See page 149 for custom sizes and specifications.

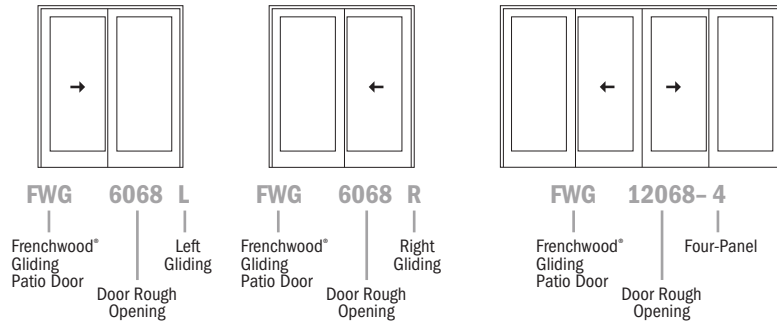
Viewed from the exterior. Arrow indicates direction of panel operation. Stationary (S) doors can be used as an individual unit or as a sidelight. Two-panel doors are available factory assembled and arrive at the jobsite ready to install.

Grille patterns shown on page 149.

• "Door Dimension" always refers to outside frame to frame dimension.
 • "Minimum Rough Opening" dimensions may need to be increased to allow for use of building wraps, flashing, sill panning, brackets, fasteners or other items. See pages 288-289 for more details.
 • Dimensions in parentheses are in millimeters.
 • Add 1/4" (6) to the "Minimum Rough Opening" height dimension for four-panel doors.

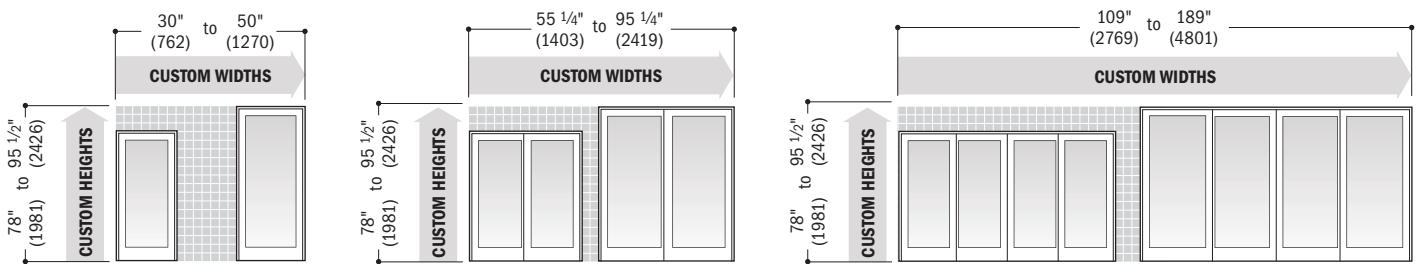
Order Designation Description

Viewed from the exterior.



Custom Sizes and Specification Formulas

Measurement guide for custom-size patio doors can be found at andersenwindows.com/measure.



Clear Opening	Two-Panel	Minimum R.O.	Single-Panel & Two-Panel	Unobstr. Glass	Single-Panel
	$Width = (width \div 2) - 7.773" (197)$ $Height = height - 4.155" (106)$		$Width = width + 3/4" (19)$ $Height = height + 1/2" (13)$		$Width = width - 10.876" (276)$ $Height = height - 16.391" (416)$
	Four-Panel $Width = (width \div 2) - 14.322" (364)$ $Height = height - 4.155" (106)$		Four-Panel $Width = width + 3/4" (19)$ $Height = height + 3/4" (19)$		Two-Panel $Width = width - 17.002" (432)$ $Height = height - 16.391" (416)$
					Four-Panel $Width = width - 32.504" (826)$ $Height = height - 16.391" (416)$



Available in 1/8" (3) increments between minimum and maximum widths and heights shown. Some restrictions apply.

- Dimensions in parentheses are in millimeters.
- **Clear Opening** formulas provide dimensions for determining area available for egress. Vent opening, or area available for passage of air, is equal to clear opening. **Minimum R.O.** (minimum rough opening) formulas provide minimum rough opening width and height dimensions. **Unobstr. Glass** (unobstructed glass) formulas provide dimensions for determining area available for passage of light.

Grille Patterns

	Prairie A	Colonial	Modified Colonial	Modified Colonial SCR (Simulated Check Rail)	Tall Fractional	Tall Fractional SCR (Simulated Check Rail)	Short Fractional	Short Fractional SCR (Simulated Check Rail)
Frenchwood® Gliding Patio Doors								

Number of lights and overall pattern varies with panel size.
Patterns are not available in all configurations. Specified equal light and custom patterns are also available. For more information on divided light see page 11 or visit andersenwindows.com/grilles.

FRENCHWOOD® GLIDING PATIO DOORS

Two-Panel & Four-Panel Frenchwood® Gliding Patio Door Opening and Area Specifications

Door Number	Clear Opening Area Sq. Ft./ (m ²)	Clear Opening in Full Open Position		Glass Area Sq. Ft./ (m ²)	Vent Area Sq. Ft./ (m ²)	Overall Door Area Sq. Ft./ (m ²)
		Width Inches/(mm)	Height Inches/(mm)			
FWG5068	11.58 (1.08)	22 1/8" (562)	75 3/8" (1915)	18.52 (1.72)	11.58 (1.08)	32.71 (3.04)
FWG6068	14.72 (1.37)	28 1/8" (714)	75 3/8" (1915)	23.78 (2.21)	14.72 (1.37)	39.34 (3.66)
FWG8068	21.00 (1.95)	40 1/8" (1019)	75 3/8" (1915)	34.30 (3.19)	21.00 (1.95)	52.59 (4.89)
FWG10068	23.42 (2.18)	44 3/4" (1137)	75 3/8" (1915)	37.04 (3.44)	23.42 (2.18)	64.59 (6.00)
FWG12068	29.70 (2.76)	56 3/4" (1441)	75 3/8" (1915)	47.55 (4.42)	29.70 (2.76)	77.84 (7.23)
FWG16068	42.27 (3.93)	80 3/4" (2051)	75 3/8" (1915)	68.60 (6.37)	42.27 (3.93)	104.34 (9.69)
FWG50611	12.04 (1.12)	22 1/8" (562)	78 3/16" (1987)	19.36 (1.80)	12.04 (1.12)	33.89 (3.15)
FWG60611	15.31 (1.42)	28 1/8" (714)	78 3/16" (1987)	24.86 (2.31)	15.31 (1.42)	40.76 (3.79)
FWG80611	21.84 (2.03)	40 1/8" (1019)	78 3/16" (1987)	35.85 (3.33)	21.84 (2.03)	54.49 (5.06)
FWG120611	24.36 (2.26)	44 3/4" (1137)	78 3/16" (1987)	38.72 (3.60)	24.36 (2.26)	66.93 (6.22)
FWG120611	30.89 (2.87)	56 3/4" (1441)	78 3/16" (1987)	49.71 (4.62)	30.89 (2.87)	80.66 (7.49)
FWG160611	43.95 (4.08)	80 3/4" (2051)	78 3/16" (1987)	71.71 (6.66)	43.95 (4.08)	108.12 (10.04)
FWG5080	14.04 (1.30)	22 1/8" (562)	91 3/8" (2321)	23.20 (2.16)	14.04 (1.30)	39.29 (3.65)
FWG6080	17.85 (1.66)	28 1/8" (714)	91 3/8" (2321)	29.80 (2.77)	17.85 (1.66)	47.25 (4.39)
FWG8080	25.46 (2.37)	40 1/8" (1019)	91 3/8" (2321)	42.98 (3.99)	25.46 (2.37)	63.17 (5.87)
FWG10080	28.40 (2.64)	44 3/4" (1137)	91 3/8" (2321)	46.40 (4.31)	28.40 (2.64)	77.59 (7.21)
FWG12080	36.01 (3.35)	56 3/4" (1441)	91 3/8" (2321)	59.60 (5.54)	36.01 (3.35)	93.51 (8.69)
FWG16080	51.24 (4.76)	80 3/4" (2051)	91 3/8" (2321)	85.96 (7.99)	51.24 (4.76)	125.34 (11.64)

• Dimensions in parentheses are in millimeters or square meters.

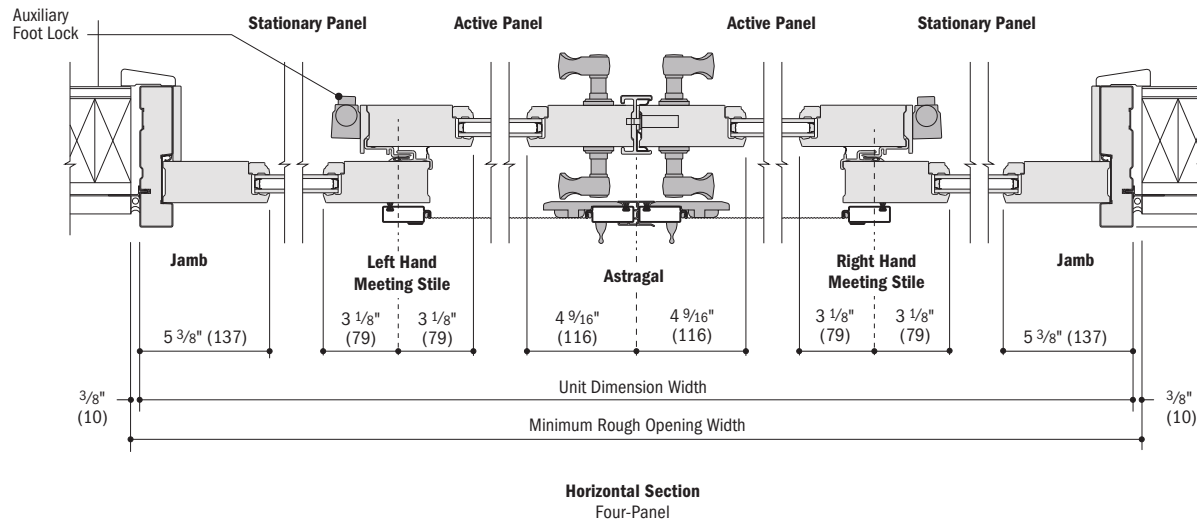
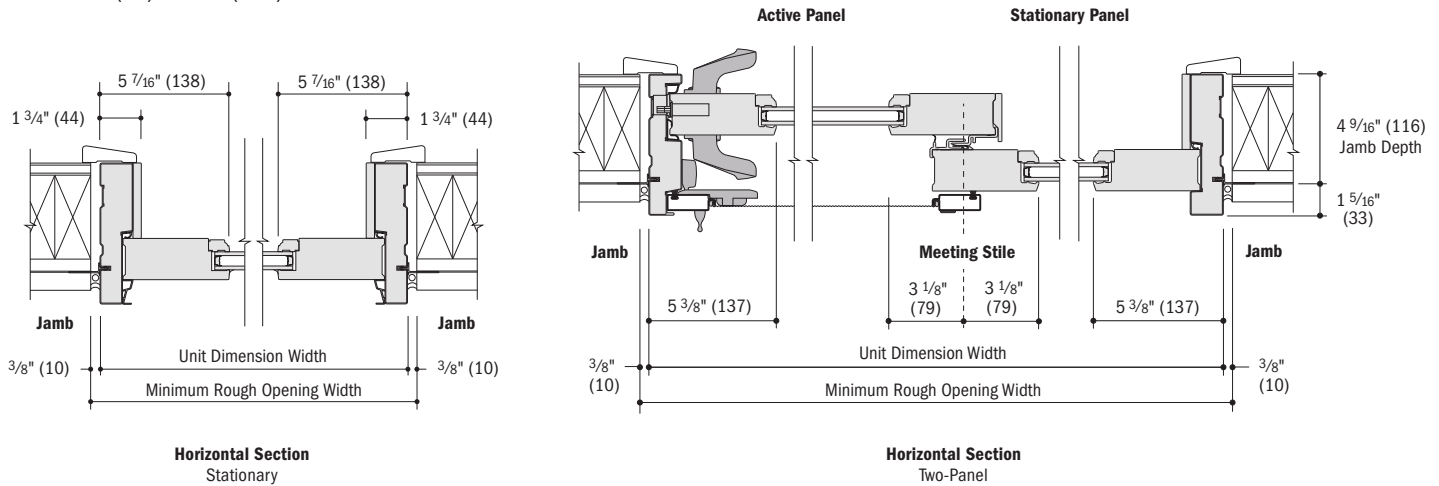
Stationary Frenchwood Gliding Patio Door Area Specifications

Door Number	Glass Area Sq. Ft./ (m ²)	Overall Door Area Sq. Ft./ (m ²)
FWG2968	9.26 (0.86)	17.67 (1.64)
FWG3368	11.89 (1.11)	20.98 (1.95)
FWG4368	17.15 (1.59)	27.60 (2.56)
FWG29611	9.68 (0.90)	18.31 (1.70)
FWG33611	12.43 (1.16)	21.74 (2.02)
FWG43611	17.93 (1.67)	28.60 (2.66)
FWG2980	11.60 (1.08)	21.22 (1.97)
FWG3380	14.90 (1.38)	25.20 (2.34)
FWG4380	21.49 (2.00)	33.16 (3.08)

• Dimensions in parentheses are in square meters.

Frenchwood® Gliding Patio Door Details

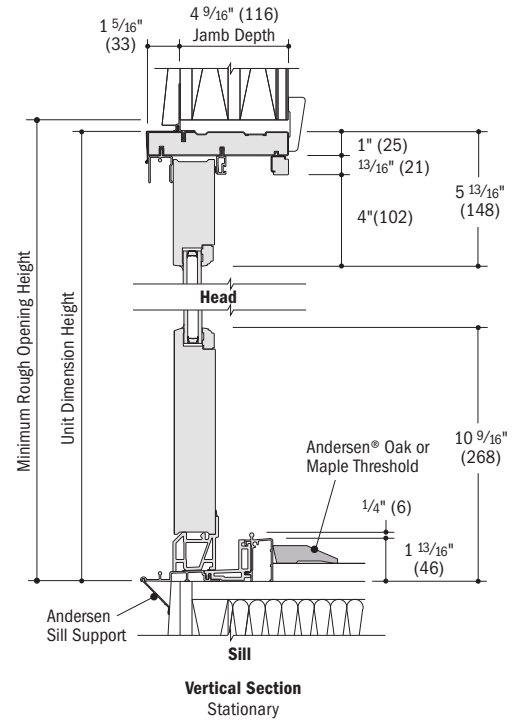
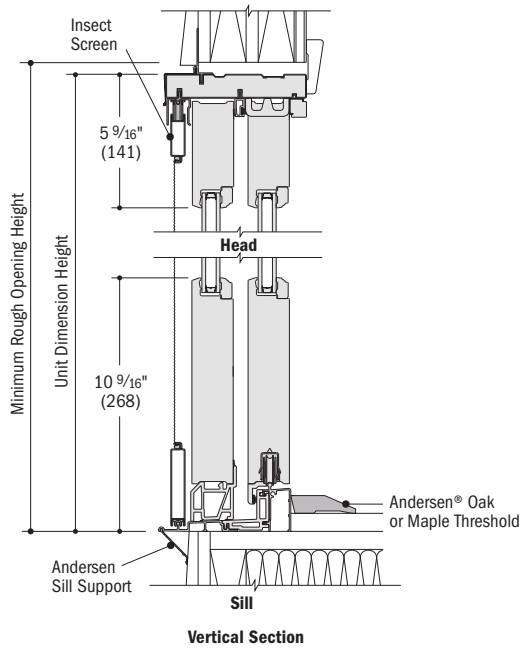
Scale 1 1/2" (38) = 1'-0" (305) – 1:8



- 4 9/16" (116) jamb depth measurement is from backside of installation flange.
- Light-colored areas are parts included with door. Dark-colored areas are additional Andersen® parts required to complete door assembly as shown.
- Rough openings may need to be increased to allow for use of building wraps, flashing, sill panning, brackets, fasteners or other items. See installation information on pages 288-289.
- Details are for illustration only and are not intended to represent product installation methods or materials. Refer to product installation guides at andersenwindows.com.
- Dimensions in parentheses are in millimeters.

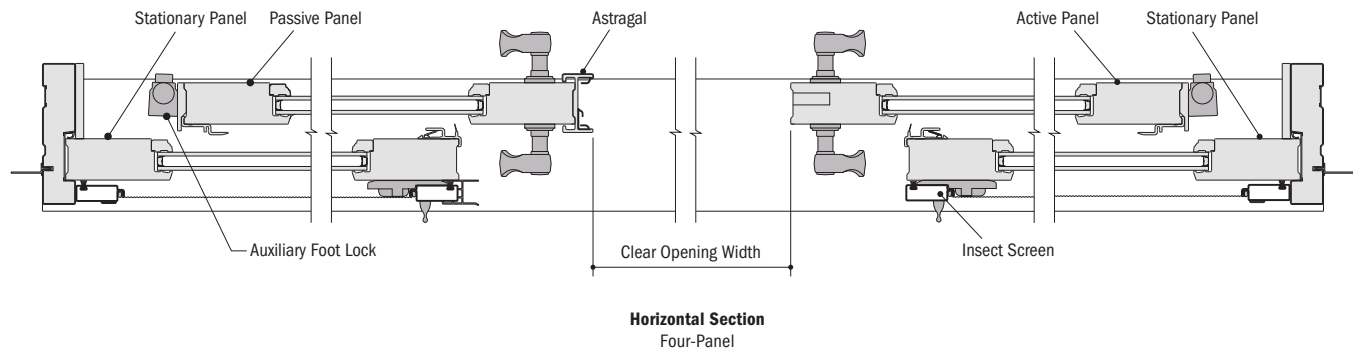
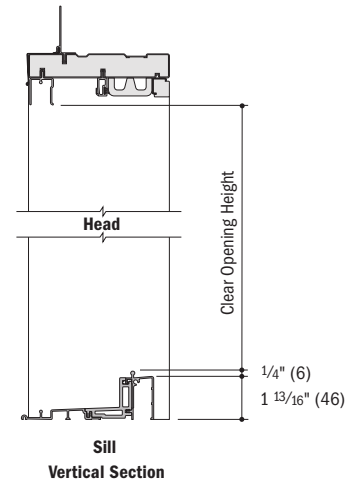
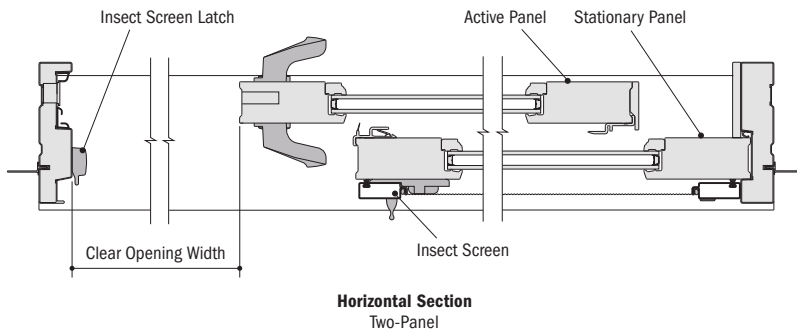
Frenchwood® Gliding Patio Door Details

Scale 1 1/2" (38) = 1'-0" (305) – 1:8



Clear Opening Details

Scale 1 1/2" (38) = 1'-0" (305) – 1:8

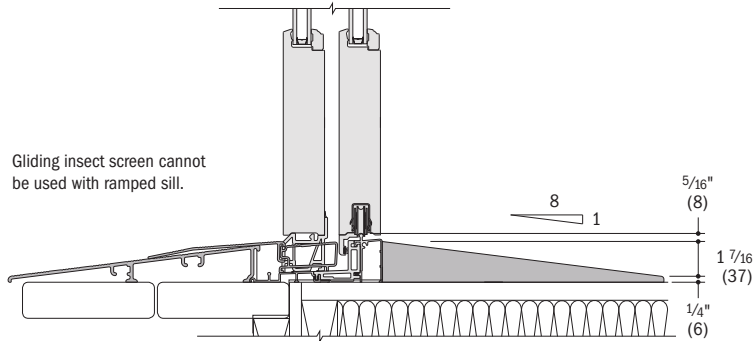


- 4 9/16" (116) jamb depth measurement is from backside of installation flange.
- Light-colored areas are parts included with door. Dark-colored areas are additional Andersen® parts required to complete door assembly as shown.
- **Rough openings may need to be increased to allow for use of building wraps, flashing, sill panning, brackets, fasteners or other items. See installation information on pages 288-289.**
- Details are for illustration only and are not intended to represent product installation methods or materials. Refer to product installation guides at andersenwindows.com.
- Dimensions in parentheses are in millimeters.

FRENCHWOOD® GLIDING PATIO DOORS

Ramped Sill Detail

Scale 1 1/2" (38) = 1'-0" (305) – 1:8



Vertical Section

Vertical Joining Detail

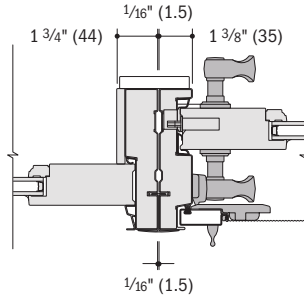
Scale 1 1/2" (38) = 1'-0" (305) – 1:8

Overall Door Dimension Width

Sum of individual door widths plus 1/16" (1.5) for each join.

Overall Rough Opening Width

Overall door width plus 3/4" (19).



Horizontal Section

Frenchwood® Gliding to Frenchwood Gliding

Vertical Joining Detail – LVL

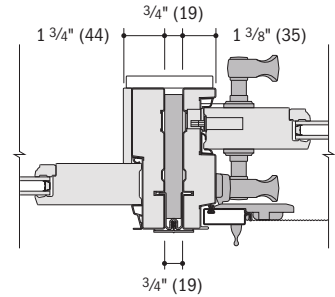
Scale 1 1/2" (38) = 1'-0" (305) – 1:8

Overall Door Dimension Width

Sum of individual door widths plus 3/4" (19) for each join.

Overall Rough Opening Width

Overall door width plus 3/4" (19).



Horizontal Section

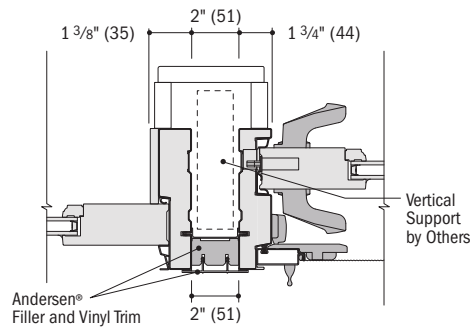
Frenchwood® Gliding to Frenchwood Gliding

Andersen does not recommend joining of receiver jamb to receiver jamb. For more joining information see the combination designs section starting on page 255.

Separate Rough Openings Detail

Scale 1 1/2" (38) = 1'-0" (305) – 1:8

To meet structural requirements or to achieve a wider joined appearance, doors may be installed into separate rough openings having vertical support (by others) in combination with Andersen® exterior filler and exterior vinyl trim.



Horizontal Section

Frenchwood® Gliding and Frenchwood Gliding

- Light-colored areas are parts included with door. Dark-colored areas are additional Andersen® parts required to complete door assembly as shown.
- **Rough openings may need to be increased to allow for use of building wraps, flashing, sill panning, brackets, fasteners or other items. See installation information on pages 288-289.**
- Details are for illustration only and are not intended to represent product installation methods or materials. Refer to product installation guides at andersenwindows.com.
- Andersen recommends installation of doors into separate rough openings. Consult with an architect or structural engineer regarding minimum requirements for structural support members between adjacent rough openings.
- Dimensions in parentheses are in millimeters.